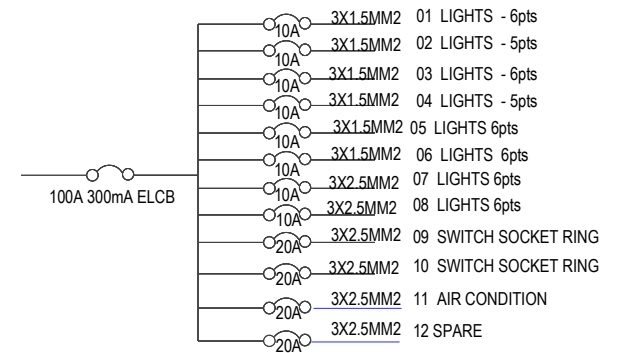


12 WAY TPN DISTRIBUTION BOARD DE



Building Section
 Planning and Policy Department
 Ministry of Health, Community Development,
 Gender Elderly and Children.
 University of Dodoma
 College of Humanities and Social Science II th
 Building, P.O. Box 743,
 40478 Dodoma

In Collaboration with

President's Office, Regional Administration
 and Local Government.
 Mkapa Building,
 P.O. Box 1923,
 41185 Dodoma

Client

PRESIDENT'S OFFICE, REGIONAL ADMINISTRATION AND
 LOCAL GOVERNMENT, MKAPA BUILDING,
 P.O. BOX 1923, 41185 DODOMA

Project

PROPOSED STANDARD DESIGN FOR COUNCIL LEVEL
 HOSPITALS IN TANZANIA

Drawing title

DENTAL&EYE BLOCK
 ELECTRICAL PLAN

Project number

Date **May, 2018**

Drawn by **EEC**

Checked by **EEC**

DE/E101

Scale 1:150