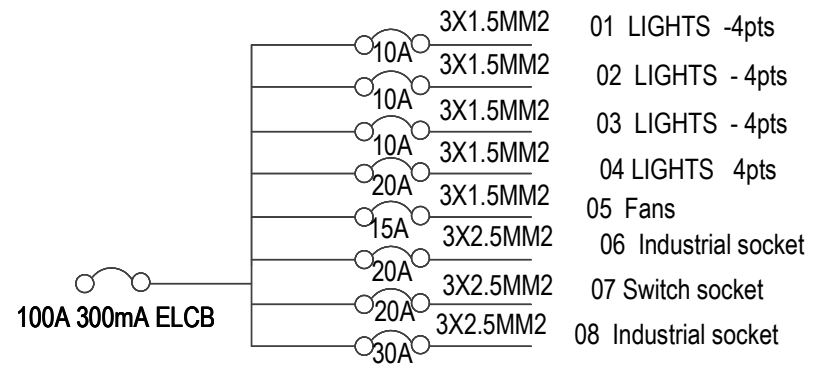


8WAYS TPN DISTRIBUTION BOARD HCTS



Building Section  
 Planning and Policy Department  
 Ministry of Health, Community Development,  
 Gender Elderly and Children.  
 University of Dodoma  
 College of Humanities and Social Science 11th  
 Building, P.O. Box 743,  
 40478 Dodoma

In Collaboration with

President's Office, Regional Administration  
 and Local Government.  
 Mkapa Building,  
 P.O. Box 1923,  
 41185 Dodoma

Client

PRESIDENT'S OFFICE, REGIONAL ADMINISTRATION AND  
 LOCAL GOVERNMENT, MKAPA BUILDING,  
 P.O. BOX 1923, 41185 DODOMA

Project

STANDARD DESIGN FOR COUNCIL LEVEL HOSPITALS  
 IN TANZANIA

Drawing title

**HCTS**  
 ELECTRICAL PLAN

Project number

Date

May, 2018

Drawn by

EEC

Checked by

EEC

HCTS/E101

Scale 1:150