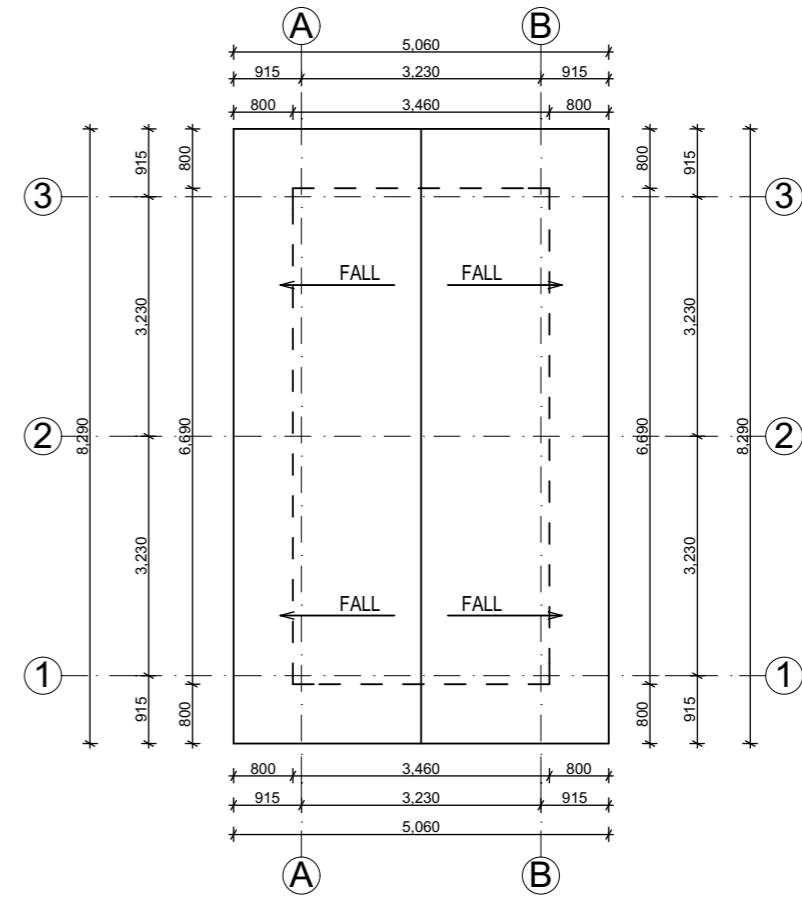


FLOOR PLAN L[-]-02



ROOF PLAN L[-]-09

DOOR & WINDOW SCHEDULE			
NO.	WIDTH	HEIGHT	TOTAL
D1	3,000mm	3,000mm	1
W1	3,000mm	2,000mm	4

TOTAL FLOOR AREA = 23.15 SQM

Building Section
 Planning and Policy Department
 Ministry of Health, Community Development,
 Gender Elderly and Children.
 University of Dodoma
 College of Humanities and Social Science 11th
 Building, P.O. Box 743,
 40478 Dodoma

In Collaboration with

President's Office, Regional Administration
 and Local Government.
 Mkapa Building,
 P.O. Box 1923,
 41185 Dodoma

Client

PRESIDENT'S OFFICE, REGIONAL ADMINISTRATION AND
 LOCAL GOVERNMENT, MKAPA BUILDING,
 P.O. BOX 1923, 41185 DODOMA

Project

STANDARD DESIGN FOR COUNCIL LEVEL HOSPITALS IN
 TANZANIA

Drawing title

POWER HOUSE BLOCK
 FLOOR PLAN & ROOF PLAN

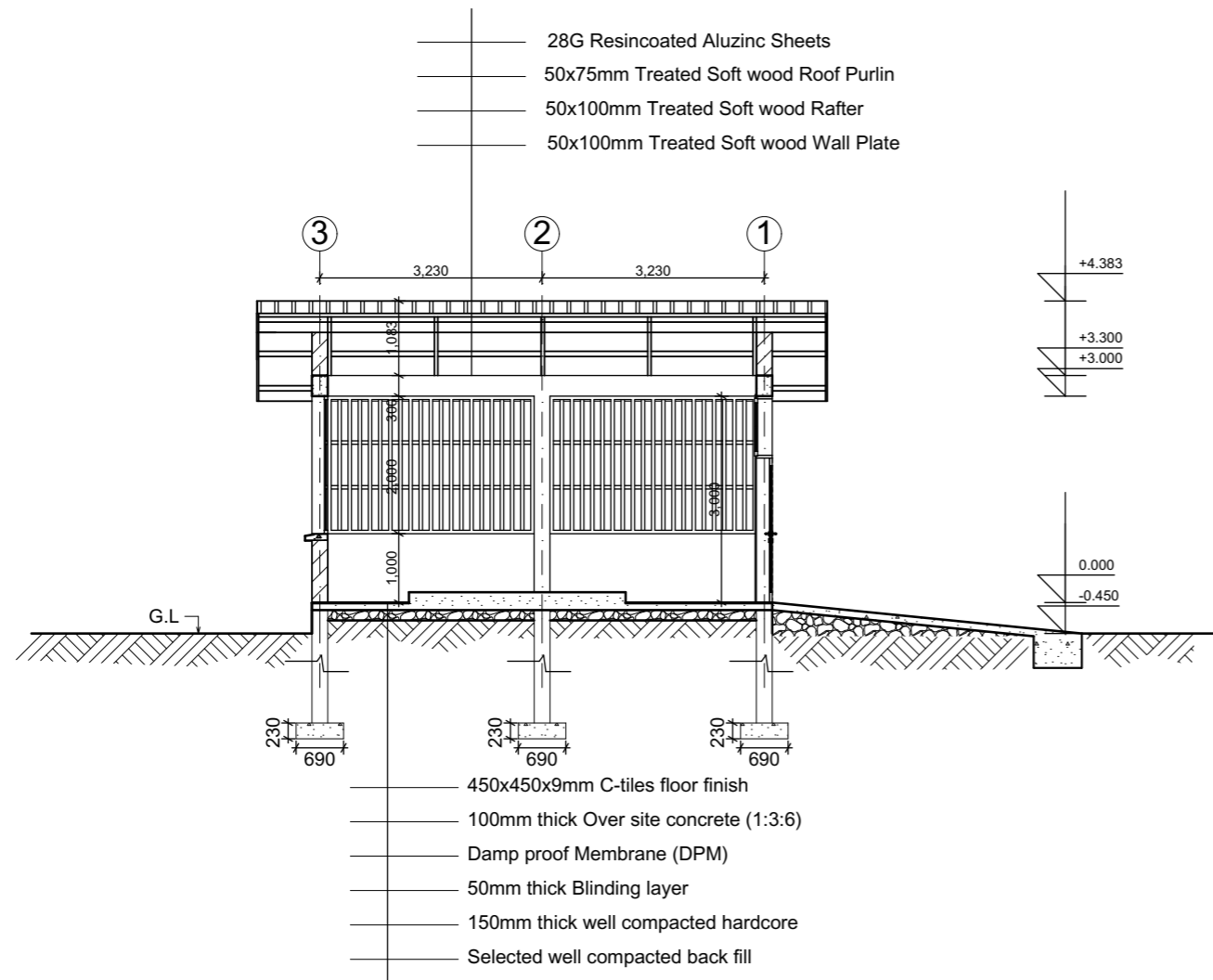
Project number

Date May, 2018

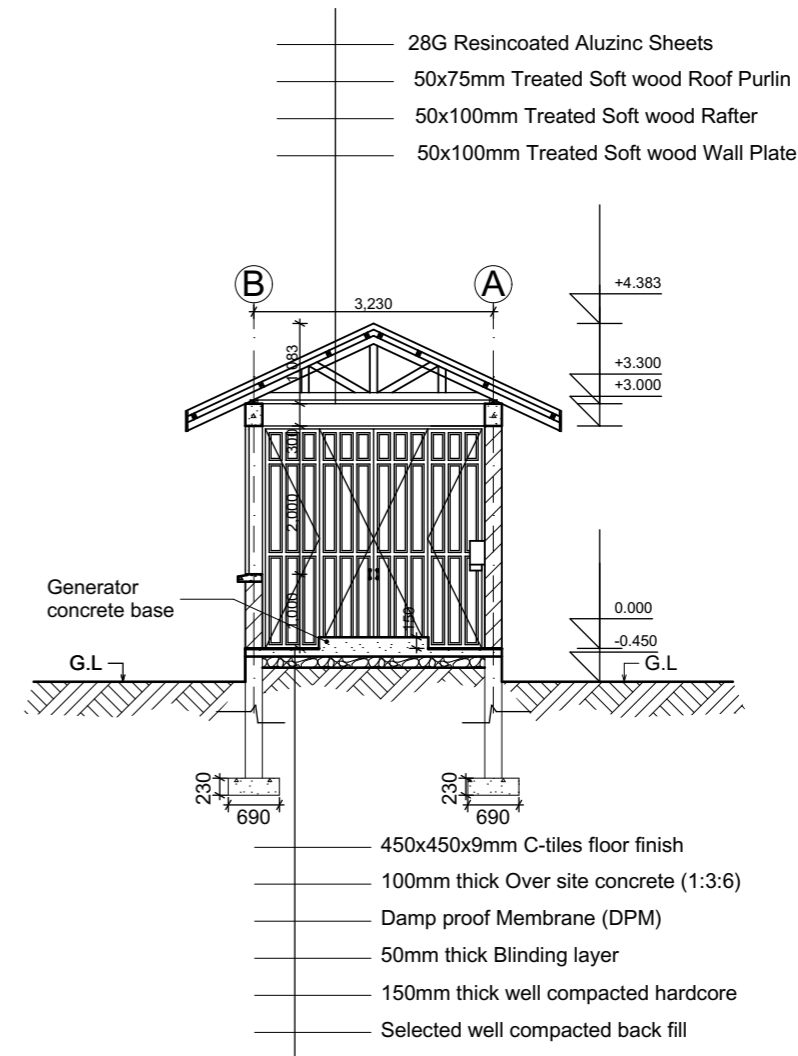
Drawn by AAI

Checked by DCNM

POWA101
 Scale 1:100



SECTION L[-]04



SECTION L[-]03

Building Section
 Planning and Policy Department
 Ministry of Health, Community Development,
 Gender Elderly and Children.
 University of Dodoma
 College of Humanities and Social Science 11th
 Building, P.O. Box 743,
 40478 Dodoma

In Collaboration with

President's Office, Regional Administration
 and Local Government.
 Mkapa Building,
 P.O. Box 1923,
 41185 Dodoma

Client

PRESIDENT'S OFFICE, REGIONAL ADMINISTRATION AND
 LOCAL GOVERNMENT, MKAPA BUILDING,
 P.O. BOX 1923, 41185 DODOMA

Project

STANDARD DESIGN FOR COUNCIL LEVEL HOSPITALS IN
 TANZANIA

Drawing title

POWER HOUSE BLOCK
 SECTION

Project number

Date May, 2018

Drawn by

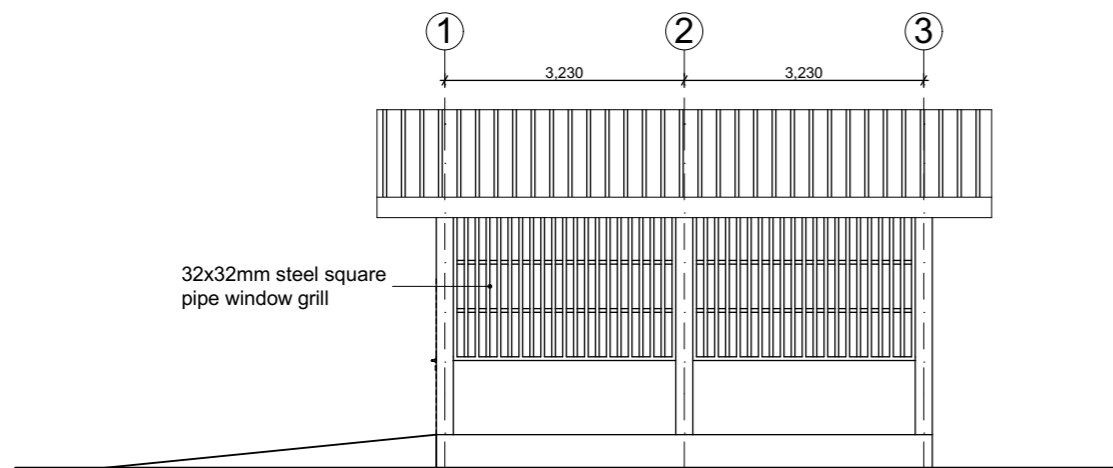
AAI

Checked by

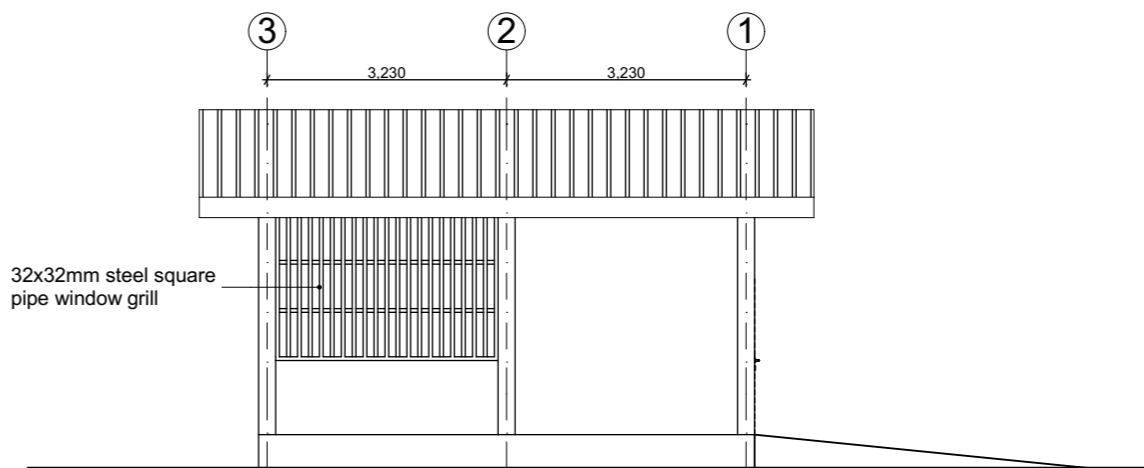
DCNM

POW/A301

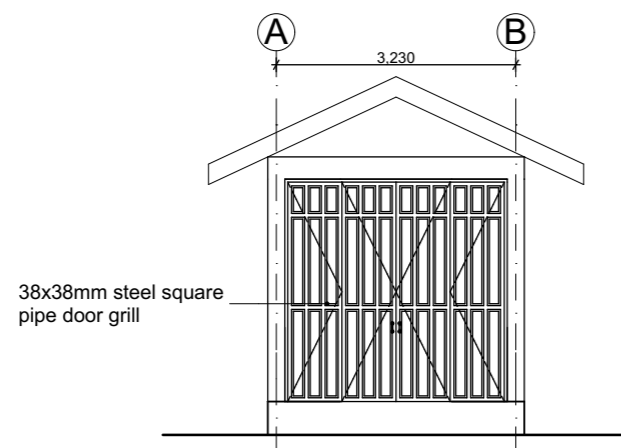
Scale 1:100



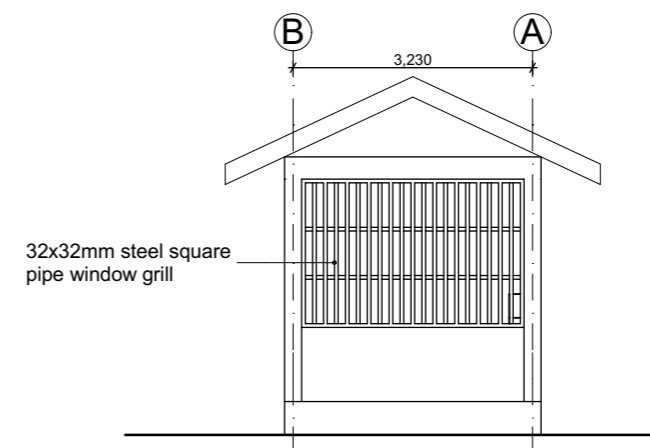
ELEVATION L[--]08



ELEVATION L[--]06



ELEVATION L[--]05



ELEVATION L[--]07

Building Section
 Planning and Policy Department
 Ministry of Health, Community Development,
 Gender Elderly and Children.
 University of Dodoma
 College of Humanities and Social Science 11th
 Building, P.O. Box 743,
 40478 Dodoma

In Collaboration with

President's Office, Regional Administration
 and Local Government.
 Mkapa Building,
 P.O. Box 1923,
 41185 Dodoma

Client

PRESIDENT'S OFFICE, REGIONAL ADMINISTRATION AND
 LOCAL GOVERNMENT, MKAPA BUILDING,
 P.O. BOX 1923, 41185 DODOMA

Project

STANDARD DESIGN FOR COUNCIL LEVEL HOSPITALS IN
 TANZANIA

Drawing title

POWER HOUSE BLOCK
 ELEVATION

Project number

Date May, 2018

Drawn by

AAI

Checked by

DCNM

POW/A201

Scale 1:100